

### About Product

IDEA generator sets are designed to be used as backup or continuous power supply. They are subjected to detailed load and performance tests in our production facilities in order to provide ideal performance and safe usage.



### Power Output Values

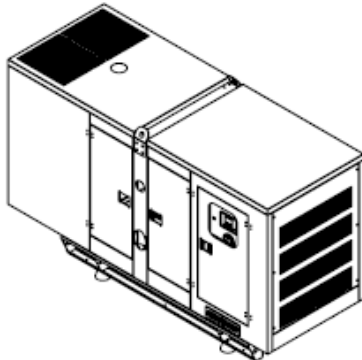
Voltage	Standby Power (ESP)			Prime Power (PRP)		
	kVA	kW	Ampere	kVA	kW	Ampere
400/231	<b>1100 kVA</b>	880kW	1589	<b>1000 kVA</b>	800 kW	1445

**Standby Power (ESP) :** This rating is for the supply of continuous electrical power at variable load , in the event of utility power failure. No overload is permitted.

**Prime Power (PRP) :** This rating is for the supply of continuous electrical power at variable load. There is no limitation on the annual hours in operation and 10% overload power can be supplied for 1 hour in 12.

### Weight And Dimensions

Type	Width x Length x Height (mm)	Weight (kg)	Fuel Tank (Lt)	Sound dB(A) @7mt
Open	2200x5000x2580 mm	5500 kg	6400 kg	TBA
Soundproofed	2200x5300x3450 mm	6950kg	7800 kg	TBA





### Engine

Frequency		50 Hz
Output Rating	kW	943
Manufacturer and Model		CUMMINS - QST30-G4
Fuel		Diesel
Injection		Direct
Aspiration		Turbocharged & Aftercooled
Cylinders		12 Cylinders - V Type
Bore and Stroke	mm	140 X 165
Displacement	lt	30,5
Cooling		Water
Engine Oil Specification		SAE 15W40
Engine Oil Capacity	lt	154
Coolant Capacity (incl.radiator)	lt	192
Governor		ECM
Air Filter		Dry element
<b>FUEL CONSUMPTION</b>		
100 % Load	lt/h	202
75 % Load	lt/h	151
50 % Load	lt/h	102
<b>AIR SYSTEM</b>		
Intake Air Flow	m <sup>3</sup> /min	12,6
<b>STARTING SYSTEM</b>		
Battery Capacity	Ah	2x150
Auxiliary Voltage	V	24

### Alternator

Poles		4 pole
Winding Connections		Star
Insulation		Class H
Enclosure		IP23
Exciter System		Self regulating Brushless
Voltage Regulator		AVR
Steady State Voltage Regulation		± 1 %
Bearing		Single bearing sealed
Coupling		Flexible disc
Cooling		Direct drive centrifugal blower fan



### Control Panel IDP300

The new IDP300 genset controller is a cost effective modular genset controller ready for internet monitoring through plug-in modules.

Its main advantages are multifunctionality, support for multiple topologies, harmonic analysis and detailed power measurements.

Software features are complete with easy firmware upgrade through USB port. The Windows based PC software allows monitoring and programming through USB, RS-485, RS-232, Ethernet and GPRS.

The Rainbow Scada web service allows monitoring and control of an unlimited number of gensets from a single central location.



### Optional Equipments

Some Optional Equipment IDEA Provides with Generator Sets;

- Remote radiator applications,
- Automatic fuel filling system,
- Fuel tank, oil pan, instrument panel, alternator, coil heaters,
- Synchronization systems,
- Generator output fuse,
- Mains generator transfer switches,
- Seismic solutions,
- Remote monitoring
- Other requested solutions

### Reference Standards

IDEA Generator Sets are CE approved and comply with the following standards;

- Power according to ISO 3046 and ISO 8528
- EN 12100 , EN 13857 , EN 60204
- 2006/42/CE Machinery Safety
- 2006/95/EC Low Voltage
- 2004/108/CE EMC
- Ambient reference conditions 1000 mbar, 25 °C, 30 % relative humidity ISO8528

All the information in this leaflet is intended for general purposes only. IDEA reserves the right to change the specifications without notice.

